

WREATH BUBBLE CHANDELIER

Collection:

Bubble Chandeliers

Design Year:

2015

Dimensions:

Diam 48in/122cm x H 22in/56cm

Weight:

25lb/11.3kg

Illumination (120V):

Incandescent: 8x G40 Globe / Clear / E26 Medium Screw Base / 320W / 2400 Lumens / 2700K
OR

LED: 8x G40 Globe / Clear / GU-24 Bi-Pin Base / 64W / 4000 Lumens / CRI 95+ / 2700K / ELV Dimmable

Illumination (240V):

Incandescent: 8x G40 Globe / Clear / E27 Medium Screw Base / 320W / 2400 Lumens / 2700K
OR

Screw Base LED upon request

Suspension:

0.5in pipe and 6in canopy in matching metal finish. Ships with 2ft/60cm long pipe to measure on site. Longer pipe lengths available upon request.

Materials:

Machined metal, blown glass globes, decorative cotton or leather coiling

Metal Finish Options:

Standard: Satin Brass, Polished Nickel

Upgrades: Antique Brass, Dark Bronze, Black Brass

Decorative Coiling Options:

Standard: Natural Cotton cord

Upgrades: White, Natural, Henna, Iris Blue, Dark-Brown, Grey and Black Leather cord. Custom leather colors available upon request.

Certifications:

UL, cUL (120V Incandescent, LED)

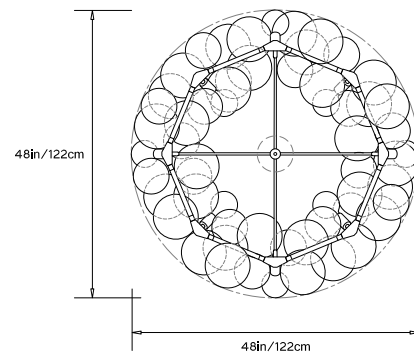
CE (240V Incandescent, LED)

Made in:

New York, USA

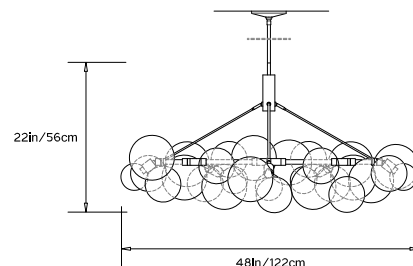


Pictured with Satin Brass and custom Gray Leather Cord Coiling



48in/122cm

48in/122cm



22in/56cm

48in/122cm

WREATH BUBBLE CHANDELIER

Collection:

Bubble Chandeliers

Design Year:

2015

Dimensions:

Diam 60in/152.4cm x H 27in/69cm

Weight:

30lb/13.6kg

Illumination (120V):

Incandescent: 8x G40 Globe / Clear / E26 Medium Screw Base / 320W / 2400 Lumens / 2700K

OR

LED: 8x G40 Globe / Clear / GU-24 Bi-Pin Base / 64W / 4000 Lumens / CRI 95+ / 2700K / ELV Dimmable

Illumination (240V):

Incandescent: 8x G40 Globe / Clear / E27 Medium Screw Base / 320W / 2400 Lumens / 2700K

OR

Screw Base LED upon request

Suspension:

0.5in pipe and 6in canopy in matching metal finish. Ships with 2ft/60cm long pipe to measure on site. Longer pipe lengths available upon request.

Materials:

Machined metal, blown glass globes, decorative cotton or leather coiling

Metal Finish Options:

Standard: Satin Brass, Polished Nickel

Upgrades: Antique Brass, Dark Bronze, Black Brass

Decorative Coiling Options:

Standard: Natural Cotton cord

Upgrades: White, Natural, Henna, Iris Blue, Dark-Brown, Grey and Black Leather cord. Custom leather colors available upon request.

Certifications:

UL, cUL (120V Incandescent, LED)

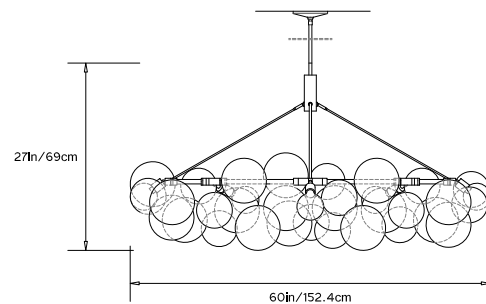
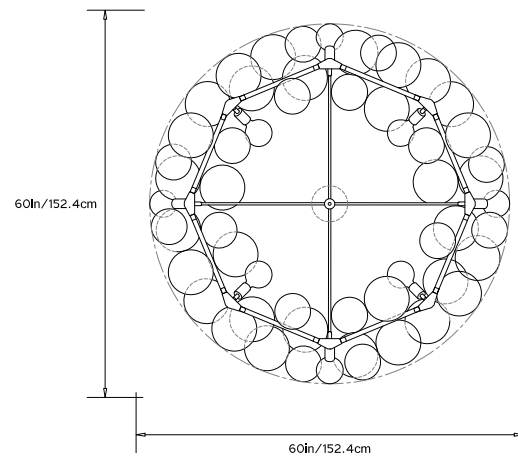
CE (240V Incandescent, LED)

Made in:

New York, USA



Pictured with Satin Brass and custom Gray Leather Cord Coiling



WREATH BUBBLE CHANDELIER

Collection:

Bubble Chandeliers

Design Year:

2015

Dimensions:

Diam 76in/193cm x H 32in/81.3cm

Weight:

35lb/15.8kg

Illumination (120V):

Incandescent: 8x G40 Globe / Clear / E26 Medium Screw Base / 320W / 2400 Lumens / 2700K

OR

LED: 8x G40 Globe / Clear / GU-24 Bi-Pin Base / 64W / 4000 Lumens / CRI 95+ / 2700K / ELV Dimmable

Illumination (240V):

Incandescent: 8x G40 Globe / Clear / E27 Medium Screw Base / 320W / 2400 Lumens / 2700K

OR

Screw Base LED upon request

Suspension:

0.5in pipe and 6in canopy in matching metal finish. Ships with 2ft/60cm long pipe to measure on site. Longer pipe lengths available upon request.

Materials:

Machined metal, blown glass globes, decorative cotton or leather coiling

Metal Finish Options:

Standard: Satin Brass, Polished Nickel

Upgrades: Antique Brass, Dark Bronze, Black Brass

Decorative Coiling Options:

Standard: Natural Cotton cord

Upgrades: White, Natural, Henna, Iris Blue, Dark-Brown, Grey and Black Leather cord. Custom leather colors available upon request.

Certifications:

UL, cUL (120V Incandescent, LED)

CE (240V Incandescent, LED)

Made in:

New York, USA



Pictured with Satin Brass and custom Gray Leather Cord Coiling

