

LURE COLLECTION

Product Name:
LURE SCONCE

Product Description:
The Lure Sconce is a single fixture that can be showcased on its own or collected into a group installation. The Lure lights use paper flowers that are sculpted by hand in our studio. Each blossom's petals are individually shaped and each lure blossom is unique. The sconce can be installed in various orientations. The slender LED arm can also be positioned at any angle.

Design Year:
2016

Designer / Manufacturer:
PELLE

Dimensions:
W 19in/48.3cm x H 15in/38cm x D 14in/35.6cm

Weight:
3lbs/1.36kg

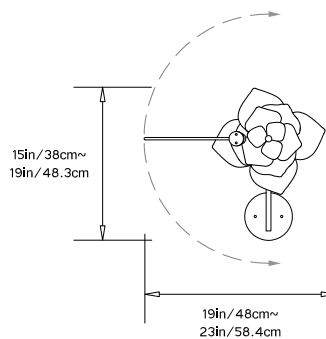
120 V LED Illumination:
Wattage: 8.0
Lumens: 500 (50W eq)
Color Temperature: 2700k
Life Hours: 25,000
CRI: 95
Dimmable External Driver included

Canopy:
5.25in/13.3cm round canopy in matching metal finish

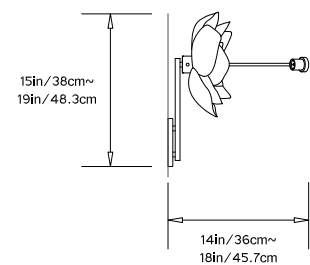
Materials:
100% Cotton Paper, LED, Solid Brass Components

Metal Finish Options:
Standard: Polished Brass

Made in:
New York, USA



Front View



Side View